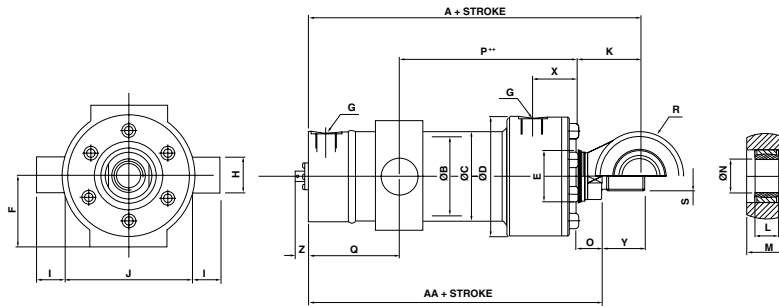


Servo Actuator

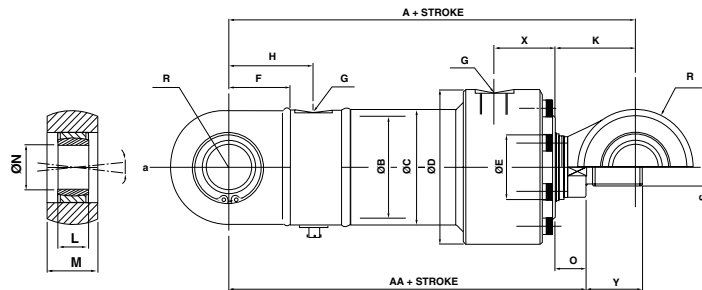
DIMENSIONS POS 50 SV



**Standard position
P = U + 1/2 stroke

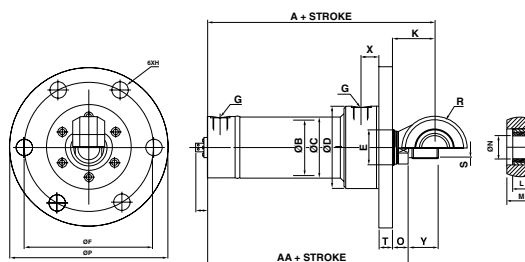
B	A	AA	C	D	E	F	G	H	I	J	K	L	M	N	O	P min	Q min	R	S	U	X	Y	Z
40	175	151	50	72	25	39	R ^{3/8"}	20	20	70	40	16	20	20	16	90	70	25	M16 × 1.5	110	41	22	15
50	192	165	60	85	25	32	R ^{1/2"}	25	24	90	45	20	25	25	18	100	85	30	M20 × 1.5	115	44	28	15
63	208	176	73	100	32	40	R ^{1/2"}	32	30	108	52	32	30	32	20	105	85	35	M27 × 2	115	47	36	15
80	217	179	90	115	40	50	R ^{1/2"}	40	32	130	63	28	40	40	25	120	95	45	M33 × 2	115	49	45	15
100	255	210	110	150	50	63	R ^{3/4"}	50	40	158	75	35	50	50	30	125	100	55	M42 × 2	115	62	56	15

DIMENSIONS POS 50 SK



B	A	AA	C	D	E	F	G	H	K	L	M	N	O	R	S	X	Y	a
40	210	186	50	72	25	35	R ^{3/8"}	51	40	16	20	20	16	25	M16 × 1.5	41	22	18
50	227	200	60	85	25	32	R ^{1/2"}	56	45	20	25	25	18	30	M20 × 1.5	44	28	14
63	253	221	73	100	32	40	R ^{1/2"}	65	52	32	30	32	20	35	M27 × 2	47	36	8
80	265	227	90	115	40	50	R ^{1/2"}	68	63	28	40	40	25	45	M33 × 2	49	45	12
100	315	270	110	150	50	63	R ^{3/4"}	85	75	35	50	50	30	55	M42 × 2	62	56	14

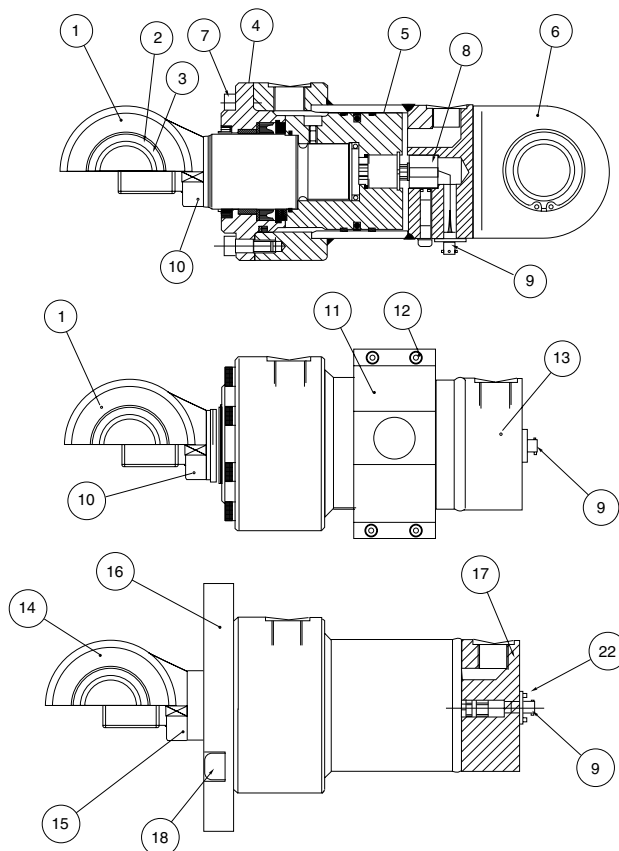
DIMENSIONS POS 50 SF



B	A	AA	C	D	E	F	G	H	K	L	M	N	O	P	R	S	T	X	Y	Z
40	184	160	50	72	25	106	R ^{3/8"}	9	40	16	20	20	16	125	25	M16 × 1.5	16	34	22	15
50	205	178	60	85	25	121	R ^{1/2"}	11	45	20	25	25	18	145	30	M20 × 1.5	20	37	28	15
63	218	186	73	100	32	130	R ^{1/2"}	14	52	32	30	32	20	160	35	M27 × 2	20	37	36	15
80	232	194	90	115	40	150	R ^{1/2"}	16	63	28	40	40	25	185	45	M33 × 2	25	39	45	15
100	282	237	110	150	50	190	R ^{3/4"}	22	75	35	50	50	30	235	55	M42 × 2	30	49	56	15

Servo Actuator

POS 50 SPARE PARTS



ITEM	UNIT	DESCRIPTION	40/25	50/25	50/32	63/32	63/40	80/40	80/50	100/50	100/63
1	1	Rod, K	34406*	34110*	34306*	34204*	34205*	34525*	34524*	34527*	34529*
2	2	Swivel head	71001	71003	71003	71004	71004	71000	71000	71002	71002
3	4	Circlip	72000	72001	72001	72002	72002	72003	72003	72004	72004
4	1	Front head	31001	31100	31101	31200	31201	31300	31301	31400	31401
5	1	Piston	32001	42103	42102	42204	42203	32303	32301	32402	32402
6	1	Housing, K	33507	35510	35510*	35512*	35512*	35515*	35515*	35517*	35517*
7	6	Screw	74001	74001	74001	74000	74000				
7	8	Screw						74000	74000	74000	74000
8	1	Transducer	6300*	6300*	6300*	6300*	6300*	6300*	6300*	6300*	6300*
9	1	Connector	6100	6100	6100	6100	6100	6100	6100	6100	6100
10	1	Rod, U	34404*	34520*	34521*	34522*	34107*	35426*	34523*	34528*	34530*
11	1	Trunnion	36000	36001	36001	36200	36200	36302	36302	36401	36401
12	4	Screw	74001	74001	74001	74003	74003	74000	74000	74006	74006
13	1	Housing, V	35508*	35511*	35511*	35513*	35513*	35516*	35516*	35518*	35518*
14	1	Rod, K	34502*	34504*	34506*	34508*	34510*	34512*	34514*	34516*	34518*
15	1	Rod, U	34503*	34505*	34507*	34509*	34511*	34513*	34515*	34517*	34519*
16	1	Flange	36001	36102	36102	36201	36201	36300	36300	36304	36304
17	1	Housing, F	35509*	35505*	35505*	35514*	35514*	35520*	35520*	35519*	35519*
18	6	Screw	74002	74002	74002	74003	74003				
18	8	Screw						74007	74007	74006	74006
19	1	Seal kit	80002	80001	80003	80004	80005	80006	80007	80008	80009
22	5	Screw	74008	74008	74008	74008	74008	74008	74008	74008	74008

*Depending on stroke



Disclaimer

ALL PRODUCTS, PRODUCT SPECIFICATIONS AND DATA ARE SUBJECT TO CHANGE WITHOUT NOTICE.

Vishay Precision Group, Inc., its affiliates, agents, and employees, and all persons acting on its or their behalf (collectively, "VPG"), disclaim any and all liability for any errors, inaccuracies or incompleteness contained herein or in any other disclosure relating to any product.

The product specifications do not expand or otherwise modify VPG's terms and conditions of purchase, including but not limited to, the warranty expressed therein.

VPG makes no warranty, representation or guarantee other than as set forth in the terms and conditions of purchase. **To the maximum extent permitted by applicable law, VPG disclaims (i) any and all liability arising out of the application or use of any product, (ii) any and all liability, including without limitation special, consequential or incidental damages, and (iii) any and all implied warranties, including warranties of fitness for particular purpose, non-infringement and merchantability.**

Information provided in datasheets and/or specifications may vary from actual results in different applications and performance may vary over time. Statements regarding the suitability of products for certain types of applications are based on VPG's knowledge of typical requirements that are often placed on VPG products. It is the customer's responsibility to validate that a particular product with the properties described in the product specification is suitable for use in a particular application. You should ensure you have the current version of the relevant information by contacting VPG prior to performing installation or use of the product, such as on our website at vpgsensors.com.

No license, express, implied, or otherwise, to any intellectual property rights is granted by this document, or by any conduct of VPG.

The products shown herein are not designed for use in life-saving or life-sustaining applications unless otherwise expressly indicated. Customers using or selling VPG products not expressly indicated for use in such applications do so entirely at their own risk and agree to fully indemnify VPG for any damages arising or resulting from such use or sale. Please contact authorized VPG personnel to obtain written terms and conditions regarding products designed for such applications.

Product names and markings noted herein may be trademarks of their respective owners.

Copyright Vishay Precision Group, Inc., 2014. All rights reserved.