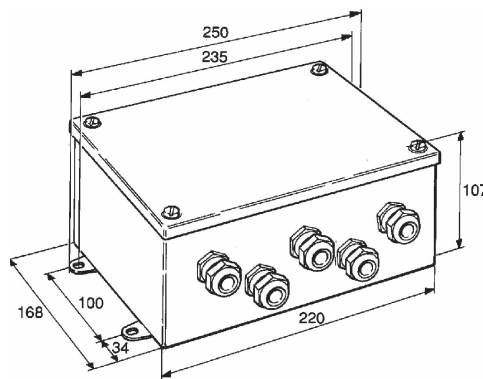


Junction box SL-4

The junction box allows fast and easy connection of many transducers to a single weighing instru-

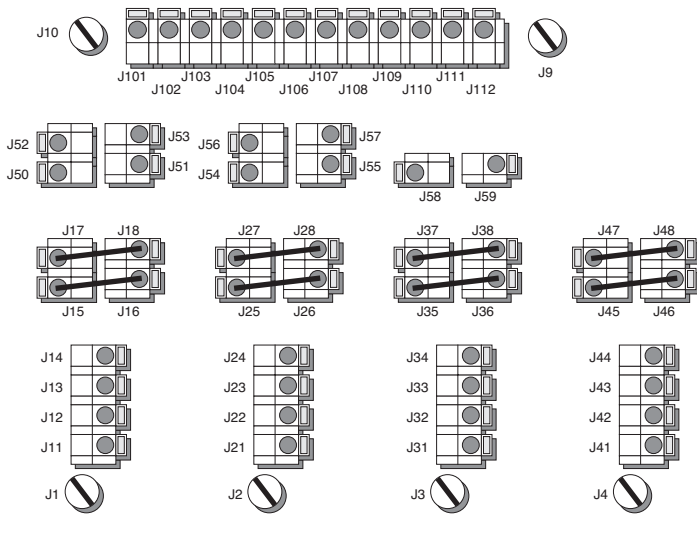
ment. It meets the requirements of IP 66 and NEMA 4+.



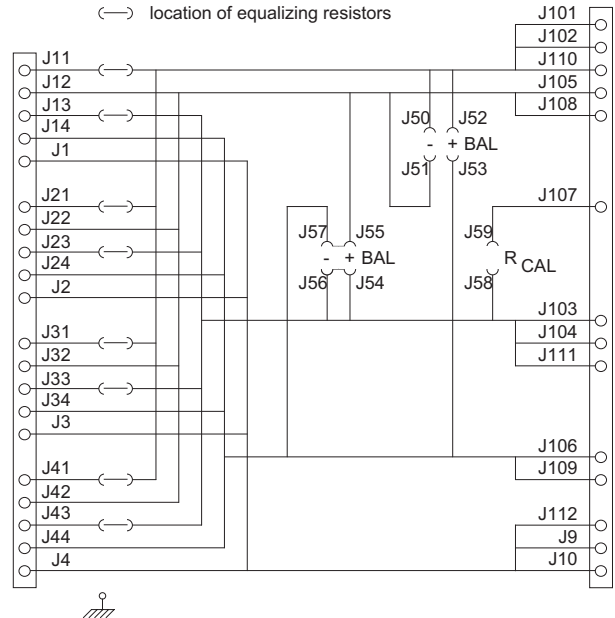
Technical data

Capacity	Up to four transducers
Connections	Clamp terminals Ground screws
Operation	-40 to +55°C
Storage	-40 to +85°C
Board size	135 x 210 mm

Junction box SL-4



Terminals and ground screws on the circuit card.



Transducer connection

Lead, Function	Clamp terminals			
	Transd. 1	Transd. 2	Transd. 3	Transd. 4
Screen	J1	J2	J3	J4
Excitation +	J11	J21	J31	J41
Signal -	J12	J22	J32	J42
Excitation -	J13	J23	J33	J43
Signal +	J14	J24	J34	J44

Instrument connection, signal cable

Lead, Function	Clamp terminal	Lead, Function	Clamp terminal
Excitation +	J101	Screen	J10
Sense +	J102	Calibration	J105
Excitation -	J103	Signal +	J106
Sense -	J104	Signal -	J108

Ground connection

- 1a. (All cable screens are connected to ground screws on the circuit card.)
Connect the signal cable screen to ground close to the instrument, or via the instrument.
- 1b. If connection to ground at the instrument is not possible, then use the enclosed wire to connect J3 to the ground screw in the box.
2. *Always* connect the junction box body to ground.

NOTE! If you are using zener barriers you should connect to ground only at the barriers – not according to 1a or 1b.