

## Pressure Transmitters

### FEATURES

- Ranges to 15,000 psi (0–1,000 bar)
- <0.15% accuracy, combined error
- 4–20 mA two-wire output
- ATEX I.S. certification
- Duplex stainless steel construction
- NACE MR-01-75 Rev03 Sour Gas rated

### APPLICATIONS

- Surface datalogging
- B.O.P. control systems
- Wellhead monitoring
- Mud logging

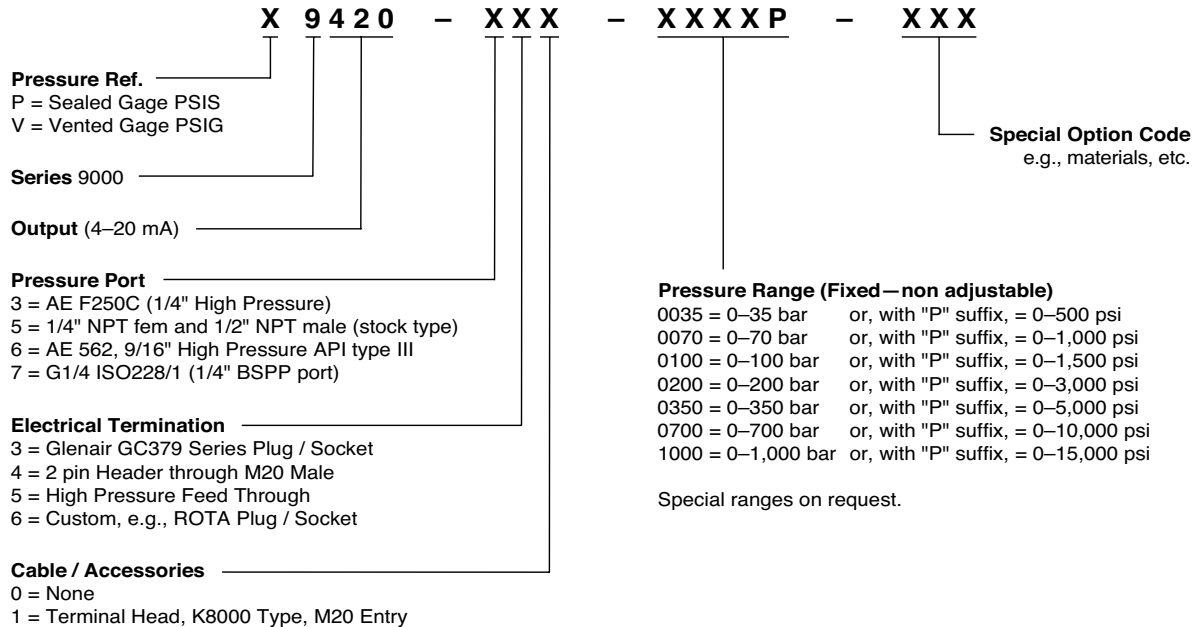
### DESCRIPTION

General purpose 9420 Series pressure transmitters share fused-ceramic diaphragm and fixed-range 4–20 mA two-wire output amplifier technology with the rugged P9420-800 Series Hammer-Lug Union transmitters. Housed in a thick walled casing of the highest specification material, the 9420 Series is ideally suited to rugged and corrosive service in an oil field environment; Sour Service is standard.

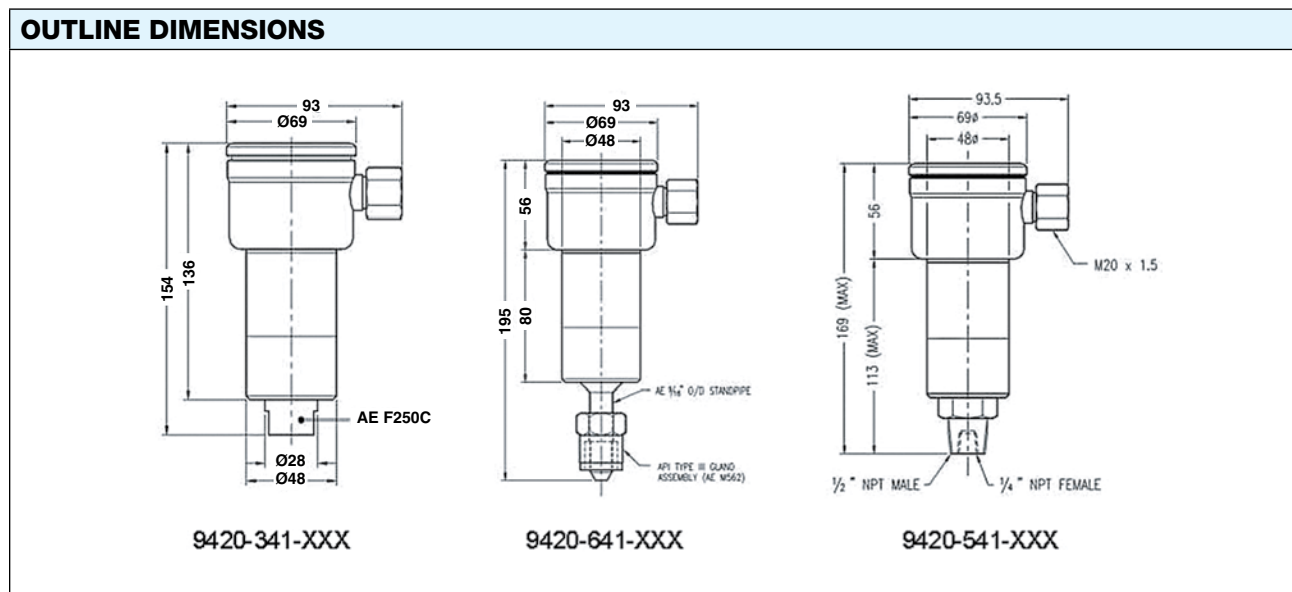


9420 transmitters are available with a wide variety of connector options to suit your system requirements. Each unit carries a two-year warranty.

### ORDERING INFORMATION



Pressure Transmitters



SPECIFICATIONS	
PARAMETER	VALUE
Ranges	0–500 psi thru 0–15,000 psi (0–35 bar thru 0–1000 bar)
<b>PERFORMANCE</b>	
Accuracy	<0.15% FSO combined error, non-linearity, hysteresis and repeatability
Stability	<0.1% FSO per year
Rise time to full scale	<2 ms
Temperature effects on zero balance	±0.008% FSO/°C
Temperature effects on rated output	±0.008% FSO/°C
Temperature range	Compensated: –10°C to +90°C; storage: –10°C to +100°C
<b>ELECTRICAL</b>	
Output	4–20 mA, two wire
Full scale output (FSO)	20 mA ±0.08 mA
Zero pressure output	4 mA ±0.08 mA
Supply voltage	12–28 VDC
Loop resistance	100 Ω–900 Ω
Insulation resistance	>500 MΩ @ 500 VRMS
<b>MECHANICAL</b>	
Safe overpressure	150% range
Minimum burst pressure	300% range (<10,000 psi), 250% range (15,000 psi)
Wetted parts material	Al <sub>2</sub> O <sub>3</sub> UNS S31803 Duplex Stainless Steel
<b>MOUNTING</b>	
Not attitude conscious	Via pressure port on 5XX, 6XX process connections, or flanges and hubs. Mounting bracket / pipe clamp for tubing or flexible hose connected parts
<b>ENVIRONMENTAL</b>	
Protection	IP68 BS5490: 1977, IEC 529: 1976
RFI / EMC immunity	Tested to IEC 801-3 Parts 2, 3, 4 and 6 EN 50082-2
Intrinsic safety certification	EXia IIc T4 Sira 02ATEX2388X
<b>MEDIA COMPLIANCE</b> —NACE MR-01-75 Rev03 Sour Gas rated	
<b>SHOCK / VIBRATION</b> —IEC 68 Test Ea 100 g / 6 ms, 3 axes; Test Fc 10–800 Hz, 5 g, 3 axes	

BLH Nobel is continually seeking to improve product quality and performance. Specifications may change accordingly.



## Disclaimer

ALL PRODUCTS, PRODUCT SPECIFICATIONS AND DATA ARE SUBJECT TO CHANGE WITHOUT NOTICE.

Vishay Precision Group, Inc., its affiliates, agents, and employees, and all persons acting on its or their behalf (collectively, "VPG"), disclaim any and all liability for any errors, inaccuracies or incompleteness contained herein or in any other disclosure relating to any product.

The product specifications do not expand or otherwise modify VPG's terms and conditions of purchase, including but not limited to, the warranty expressed therein.

VPG makes no warranty, representation or guarantee other than as set forth in the terms and conditions of purchase. **To the maximum extent permitted by applicable law, VPG disclaims (i) any and all liability arising out of the application or use of any product, (ii) any and all liability, including without limitation special, consequential or incidental damages, and (iii) any and all implied warranties, including warranties of fitness for particular purpose, non-infringement and merchantability.**

Information provided in datasheets and/or specifications may vary from actual results in different applications and performance may vary over time. Statements regarding the suitability of products for certain types of applications are based on VPG's knowledge of typical requirements that are often placed on VPG products. It is the customer's responsibility to validate that a particular product with the properties described in the product specification is suitable for use in a particular application. You should ensure you have the current version of the relevant information by contacting VPG prior to performing installation or use of the product, such as on our website at [vpgsensors.com](http://vpgsensors.com).

No license, express, implied, or otherwise, to any intellectual property rights is granted by this document, or by any conduct of VPG.

The products shown herein are not designed for use in life-saving or life-sustaining applications unless otherwise expressly indicated. Customers using or selling VPG products not expressly indicated for use in such applications do so entirely at their own risk and agree to fully indemnify VPG for any damages arising or resulting from such use or sale. Please contact authorized VPG personnel to obtain written terms and conditions regarding products designed for such applications.

Product names and markings noted herein may be trademarks of their respective owners.

Copyright Vishay Precision Group, Inc., 2014. All rights reserved.