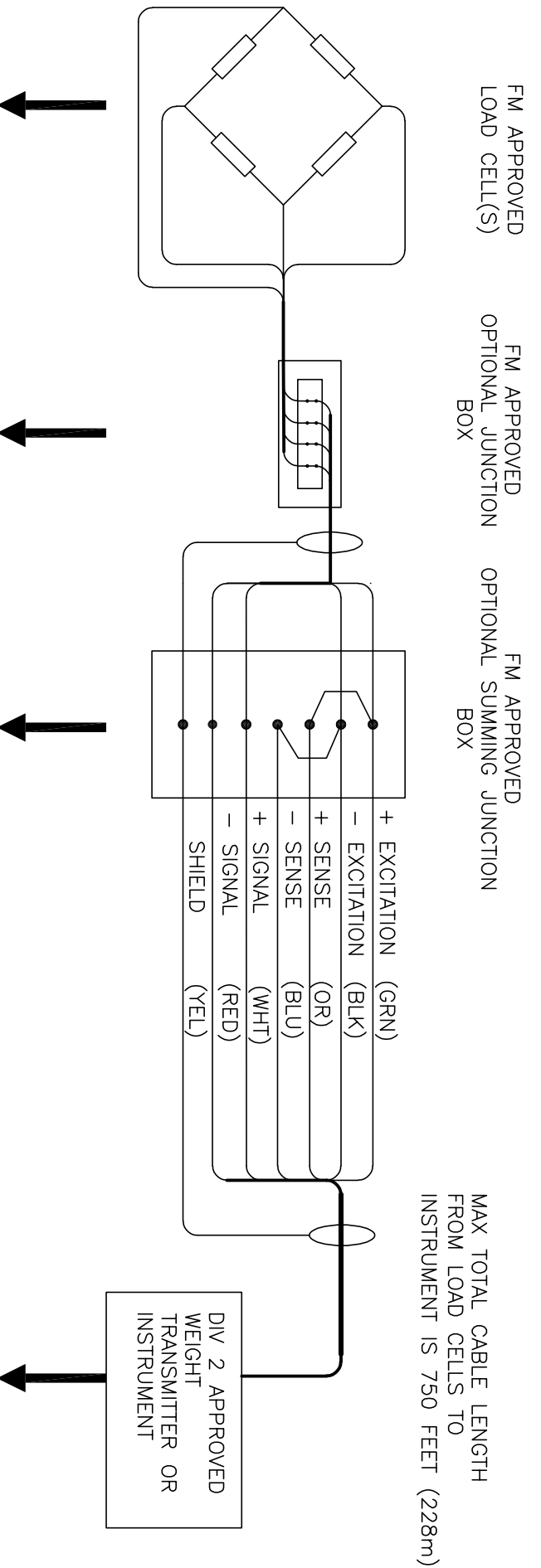


**HAZARDOUS LOCATION**  
 CLI, DIV2 GR A-D    CLI, III, DIV2 GR E, F, G



FM APPROVED LOAD CELLS	
KIS-1	T2P1
KIS-2	T2P2
KIS-3	T3P1
KIS-8	T3P2
Z-BLOK	U3G1
KDH-1A	U3G1-H
KDH-3	U3G2
KDH-1B	C2G1-H
KDH-5	C2G1-H
U3SB-A	ALPHA
U3SB-B	SBP-1A
LTT	HTZ
C2P1	EBP-1A
C2P2	ECONOMOUNT
C3P1	PRO-MOUNT
C3P2	3510
GLT	
PLATFORM SCALES	
PHL	
PLB	

FM APPROVED JUNCTION BOXES	
304	
304SS	
304EX	
304-IS-5	
304-IS-7	

FM APPROVED SUMMING JUNCTION BOXES	
308A-4-CP	308A-4-CP-IS-2
308A-8-CP	308A-8-CP-IS-3
308A-4-SS	308A-4-SS-IS-2
308A-8-SS	308A-8-SS-IS-3
308A-4-FG	306-4-SS
308A-8-FG	
308A-4-EX	
308A-8-EX	

APPROVED TRANSMITTER/ INSTRUMENT MODELS	
G4 PM	

THIS DRAWING AND OTHER RELATED COMPONENTS  
 MAY NOT BE CHANGED WITHOUT PRIOR WRITTEN  
 APPROVAL FROM FACTORY MUTAL RESEARCH

950961	KDH-5, KIS-8 and 3510 FM approved loadcells added.	2020-10-28	Hnh
Ändr. nr	ÄO nr och ändringsbeskrivning	Datum	Godkänd
Rev. No.	Revision order No. and description	Date	Approved
The design according to this drawing is the property of Vishoy Nobel AB and must not be disclosed to any third party, copied, reproduced or used in any manner whatsoever without the written consent of Vishoy Nobel AB. Contention will be prosecuted.			
Filnamn	File name	Skala	Utgångsvara
401706R1.DWG	401706R1.DWG	1:1	Basic material
Behandlingsmetod	ISO2768M		
Benämning	SYSTEM APPROVAL DWG LOAD CELL		
	WEIGH SYSTEMS FMRC DIV 2 & ZONE 2		
	WEIGH SYSTEMS FMRC DIV 2 & ZONE 2		
Ritning nr	Drawing No.		
401	706		
			Sen. ändr. Latest rev.
			1