

Pressure Transmitters

FEATURES

- Ranges to 15,000 psi (0–1,000 bar)
- <0.25% accuracy, combined error
- 4–20 mA two-wire output
- ATEX I.S. certification
- Ultra-rugged stainless steel construction
- NACE MR-01-75 (sour gas) compliant
- Completely modular serviceable design
- RFI / EMC immunity compliance
- **Optional feature**
 - 22,500 psi secondary-containment

APPLICATIONS

- Mud pressure measurement
- M.W.D. surface sensor
- Kill/Choke manifold pressure
- Mud logging and production test pressure

DESCRIPTION

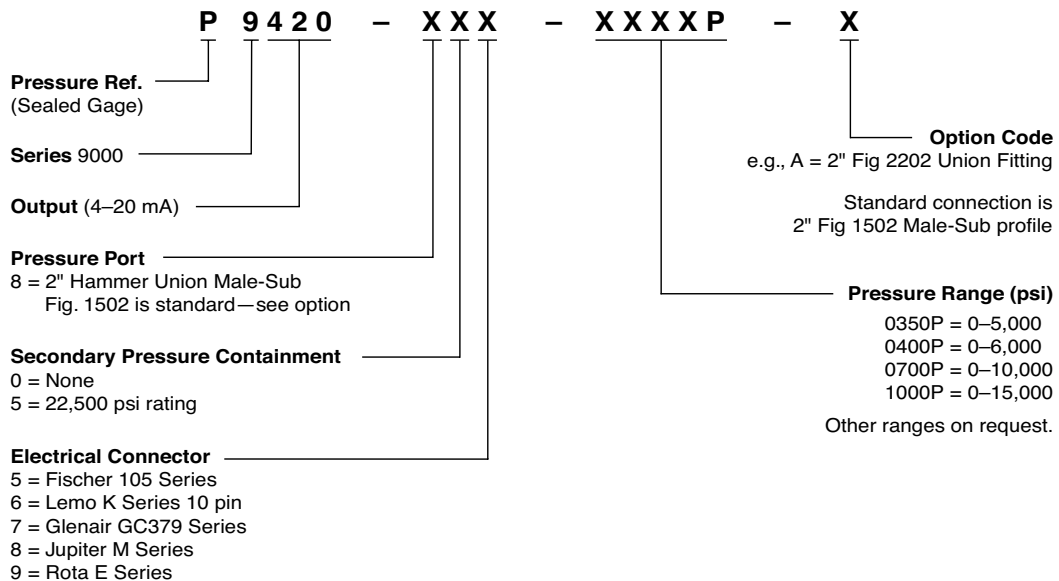
A further development in the range of Hammer-Lug Union fitting Pressure Transmitters, this extension of the P9420 series offers fused ceramic sensors, high shock and vibration immunity, and other benefits. All units are built



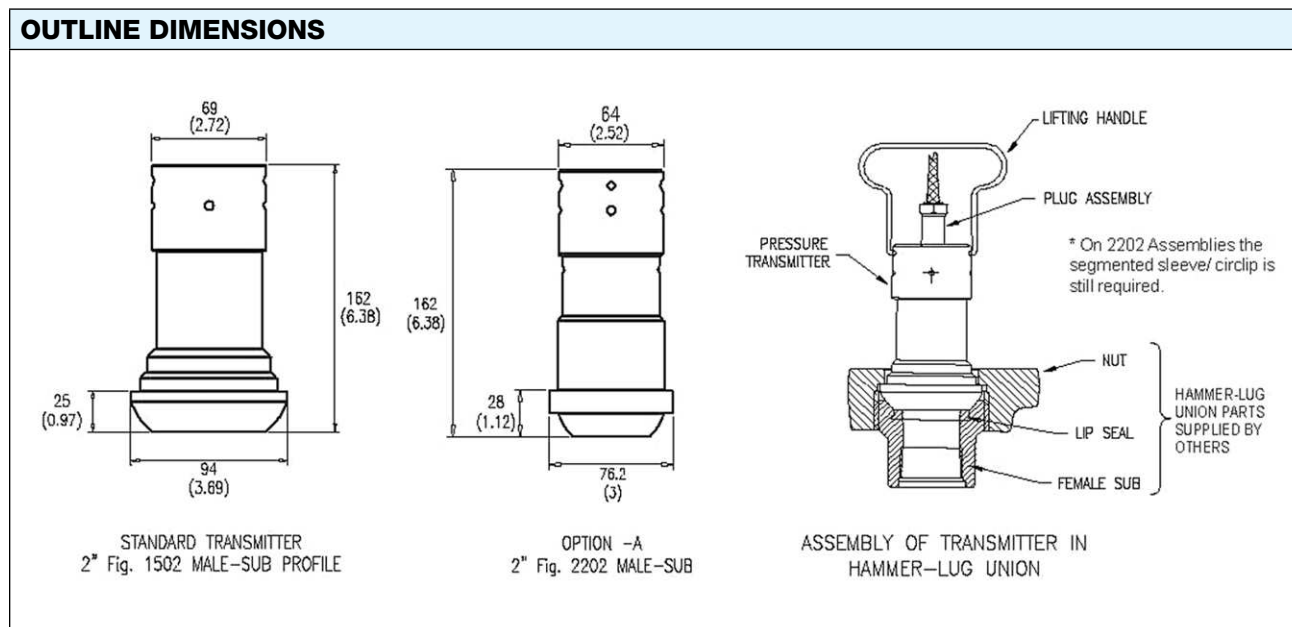
within a male-sub casing that allows optional secondary pressure containment up to the proof rating of the union assembly.

British built with a two-year warranty, the P9420-800 transmitters are available with a wide variety of connector options to meet your system requirements.

ORDERING INFORMATION



Pressure Transmitters



SPECIFICATIONS		PARAMETER	VALUE
Ranges			0-5,000, 0-6,000, 0-10,000, 0-15,000 psi (others to order)
PERFORMANCE			
Accuracy			<0.25% span
Stability			<0.1% span per year
Rise time to full scale			<2 ms
Temperature effects on zero balance			±0.008% span/°C
Temperature effects on rated output			±0.008% span/°C
Temperature range			Compensated: -10°C to +90°C; storage: -30°C to +100°C
ELECTRICAL			
Output			4-20 mA, two wire
Full scale output (FSO)			20 mA ±0.16 mA
Zero pressure output			4 mA ±0.16 mA
Supply voltage			12-28 VDC
Loop resistance			100 Ω-900 Ω
Insulation resistance			>500 MΩ @ 500 VRMS
PARAMETER		VALUE	
MECHANICAL			
Safe overpressure		150% range	
Secondary containment of pressure within case (85X only)		22,500 psi (all ranges)	
Minimum burst pressure		300% range (<10,000 psi), 250% range (15,000 psi)	
Effect of union make-up on FSO		Negligible	
Wetted parts material		Al ₂ O ₃ UNS S31803 Duplex Stainless Steel	
Weight (transmitter only)		4 kg (8.8 lb)	
ENVIRONMENTAL			
Protection		IP68 BS5490: 1977, IEC 529: 1976	
RFI / EMC immunity		Tested to IEC 801-3 Parts 2, 3, 4 and 6 EN 50082-2	
Intrinsic safety certification		EXia IIc T4 Sira 02ATEX2386X	
MEDIA COMPLIANCE —NACE MR-01-75 Rev03 Sour Gas rated			
SHOCK / VIBRATION —IEC 68 Test Ea 100 g / 6 ms, 3 axes; Test Fc 10-800 Hz, 5 g, 3 axes			

BLH Nobel is continually seeking to improve product quality and performance. Specifications may change accordingly.

Disclaimer

ALL PRODUCTS, PRODUCT SPECIFICATIONS AND DATA ARE SUBJECT TO CHANGE WITHOUT NOTICE.

Vishay Precision Group, Inc., its affiliates, agents, and employees, and all persons acting on its or their behalf (collectively, "VPG"), disclaim any and all liability for any errors, inaccuracies or incompleteness contained herein or in any other disclosure relating to any product.

The product specifications do not expand or otherwise modify VPG's terms and conditions of purchase, including but not limited to, the warranty expressed therein.

VPG makes no warranty, representation or guarantee other than as set forth in the terms and conditions of purchase. **To the maximum extent permitted by applicable law, VPG disclaims (i) any and all liability arising out of the application or use of any product, (ii) any and all liability, including without limitation special, consequential or incidental damages, and (iii) any and all implied warranties, including warranties of fitness for particular purpose, non-infringement and merchantability.**

Information provided in datasheets and/or specifications may vary from actual results in different applications and performance may vary over time. Statements regarding the suitability of products for certain types of applications are based on VPG's knowledge of typical requirements that are often placed on VPG products. It is the customer's responsibility to validate that a particular product with the properties described in the product specification is suitable for use in a particular application. You should ensure you have the current version of the relevant information by contacting VPG prior to performing installation or use of the product, such as on our website at vpgsensors.com.

No license, express, implied, or otherwise, to any intellectual property rights is granted by this document, or by any conduct of VPG.

The products shown herein are not designed for use in life-saving or life-sustaining applications unless otherwise expressly indicated. Customers using or selling VPG products not expressly indicated for use in such applications do so entirely at their own risk and agree to fully indemnify VPG for any damages arising or resulting from such use or sale. Please contact authorized VPG personnel to obtain written terms and conditions regarding products designed for such applications.

Product names and markings noted herein may be trademarks of their respective owners.

Copyright Vishay Precision Group, Inc., 2014. All rights reserved.