

## Junction Box

### FEATURES

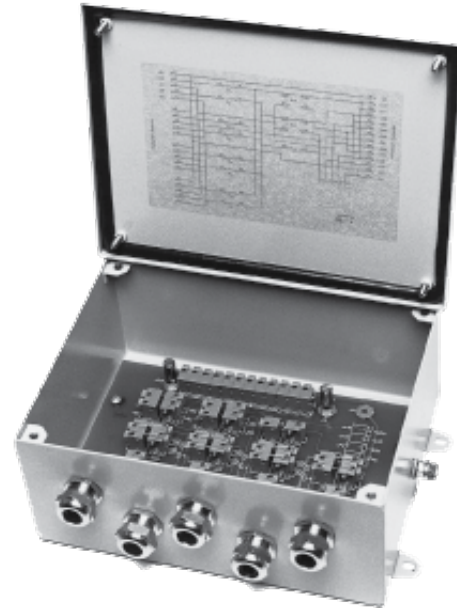
- Up to 4 transducers
- IP65
- Clamp terminals
- Simple installation
- Equalizing resistors
- Stainless steel

### APPLICATIONS

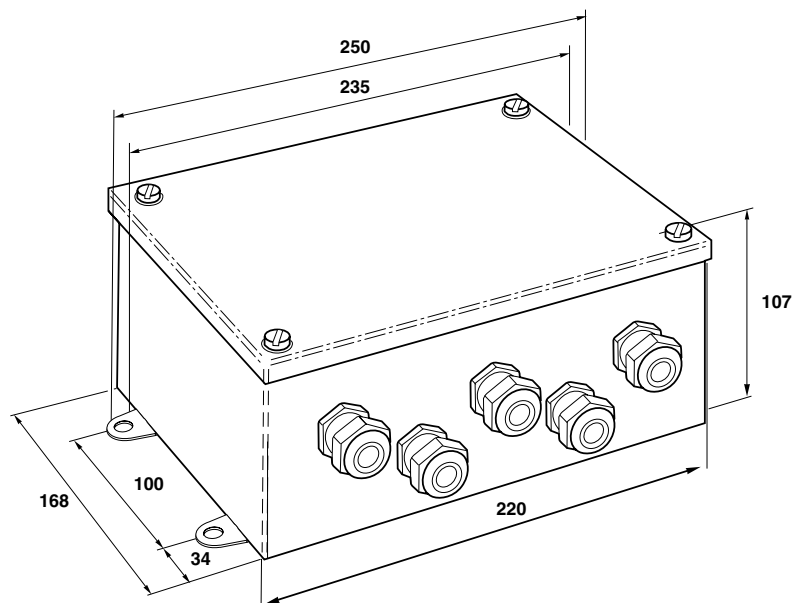
- Weighing
- Force

### DESCRIPTION

The junction box allows fast and easy connection of many transducers to a single weighing instrument. It meets the requirements of IP 65 and NEMA 4+.

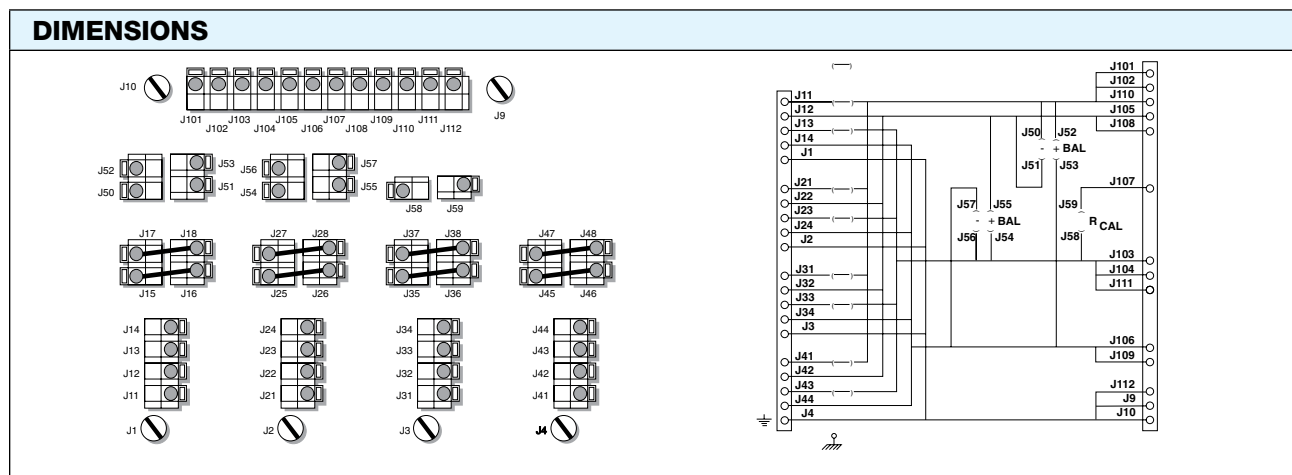


### OUTLINE DIMENSIONS



Junction Box

SPECIFICATIONS	
PARAMETER	VALUE
Capacity	up to four transducers
Connections	Clamp terminals, Ground screws
Operating temperature range	-10°C to +55°C
Storage temperature range	-25°C to +85°C
Board size	125 mm x 210 mm



**TRANSDUCER CONNECTION**

LEAD FUNCTION	CLAMP TERMINALS	TRANSDUCER 2	TRANSDUCER 3	TRANSDUCER 4
Screen	J1	J2	J3	J4
Excitation +	J11	J21	J31	J41
Signal -	J12	J22	J32	J42
Excitation -	J13	J23	J33	J43
Signal +	J14	J24	J34	J44

**INSTRUMENT CONNECTION, SIGNAL CABLE**

LEAD FUNCTION	CLAMP TERMINALS	LEAD FUNCTION	CLAMP TERMINALS
Excitation +	J101	Screen	J10
Sense +	J102	Calibration	J107
Excitation -	J103	Signal +	J106
Sense -	J104	Signal -	J105

**GROUND CONNECTION**

- 1a. (All cable screens are connected to ground screws on the circuit card.) Connect the signal cable screen to ground close to the instrument, or via the instrument.
- 1b. If connection to ground at the instrument is not possible, then use the enclosed wire to connect J3 to the ground screw in the box.
2. Always connect the junction box body to ground.

**NOTE:** If you are using zener barriers you should connect to ground only at the barriers – not according to 1a or 1b.

## Disclaimer

ALL PRODUCTS, PRODUCT SPECIFICATIONS AND DATA ARE SUBJECT TO CHANGE WITHOUT NOTICE.

Vishay Precision Group, Inc., its affiliates, agents, and employees, and all persons acting on its or their behalf (collectively, "VPG"), disclaim any and all liability for any errors, inaccuracies or incompleteness contained herein or in any other disclosure relating to any product.

The product specifications do not expand or otherwise modify VPG's terms and conditions of purchase, including but not limited to, the warranty expressed therein.

VPG makes no warranty, representation or guarantee other than as set forth in the terms and conditions of purchase. **To the maximum extent permitted by applicable law, VPG disclaims (i) any and all liability arising out of the application or use of any product, (ii) any and all liability, including without limitation special, consequential or incidental damages, and (iii) any and all implied warranties, including warranties of fitness for particular purpose, non-infringement and merchantability.**

Information provided in datasheets and/or specifications may vary from actual results in different applications and performance may vary over time. Statements regarding the suitability of products for certain types of applications are based on VPG's knowledge of typical requirements that are often placed on VPG products. It is the customer's responsibility to validate that a particular product with the properties described in the product specification is suitable for use in a particular application. You should ensure you have the current version of the relevant information by contacting VPG prior to performing installation or use of the product, such as on our website at [vpgsensors.com](http://vpgsensors.com).

No license, express, implied, or otherwise, to any intellectual property rights is granted by this document, or by any conduct of VPG.

The products shown herein are not designed for use in life-saving or life-sustaining applications unless otherwise expressly indicated. Customers using or selling VPG products not expressly indicated for use in such applications do so entirely at their own risk and agree to fully indemnify VPG for any damages arising or resulting from such use or sale. Please contact authorized VPG personnel to obtain written terms and conditions regarding products designed for such applications.

Product names and markings noted herein may be trademarks of their respective owners.

Copyright Vishay Precision Group, Inc., 2014. All rights reserved.