

Weigh Module

FEATURES

- Capacity range: 5, 10, 20, 50, and 100 kN (1.12K, 2.25K, 4.5K, 11.2K, and 22.5K lb)
- Easy installation
- Moveable load point
- Withstands very high lateral forces
- Extremely accurate and rugged
- ATEX and IECEx certified for hazardous locations

APPLICATIONS

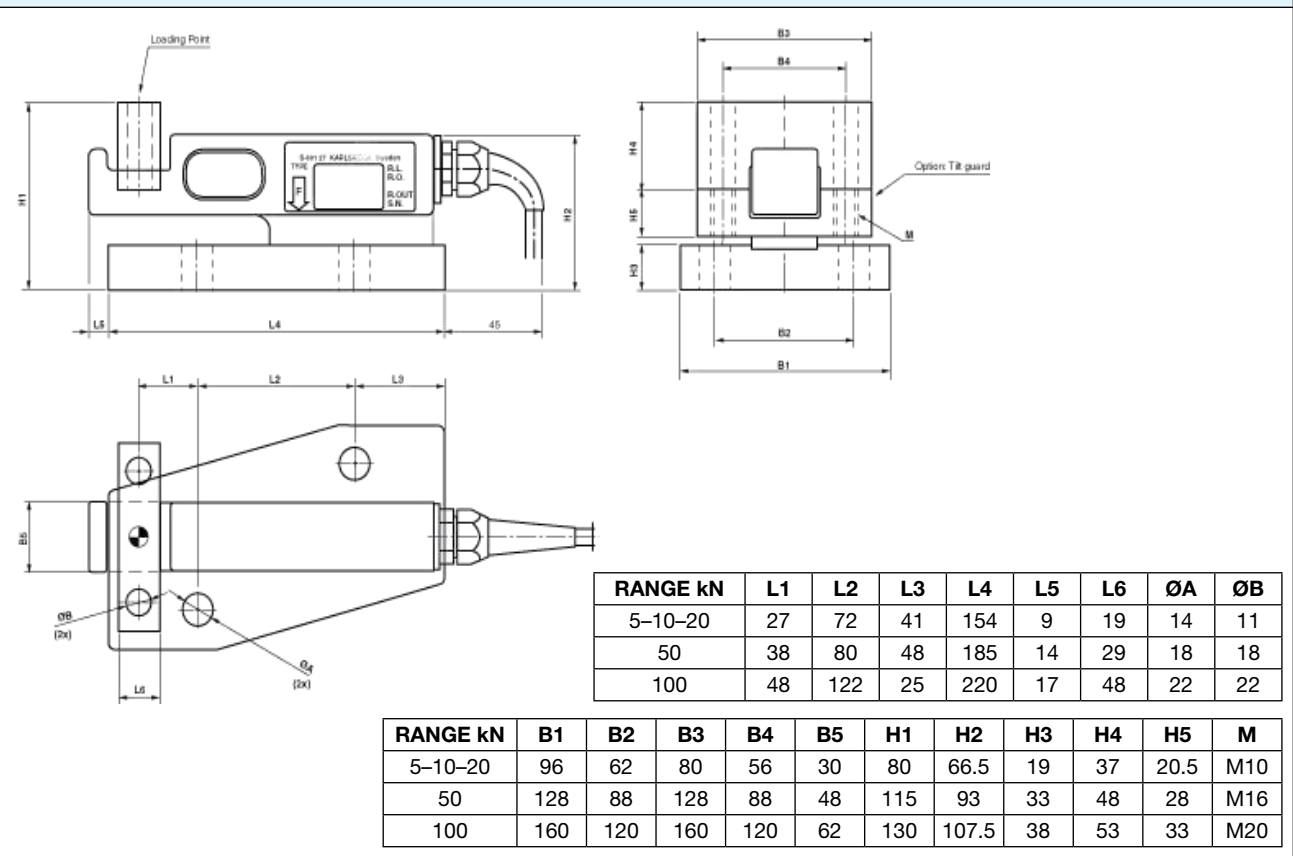
- Silo, bin and hopper weighing
- Inventory control systems
- Industrial conveyors
- Force measurement systems

DESCRIPTION

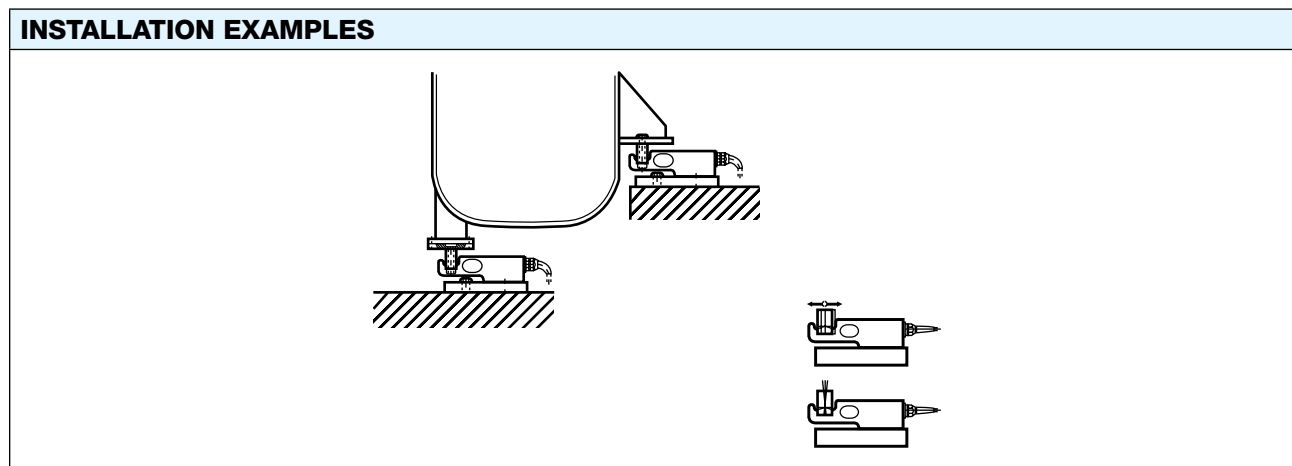
The KIS-9 load cell has several features that clearly distinguish it from other load cells. It is easy to install and extremely accurate, even when subjected to vibration forces and severe environmental conditions. All KIS load cells can be ATEX and IECEx certified for use in explosive atmospheres.



OUTLINE DIMENSIONS



Weigh Module



SPECIFICATIONS		PARAMETER		VALUE	
PARAMETER	VALUE	PARAMETER	VALUE		
Rated load (RL)	5, 10, 20, 50, 100 kN	Temperature range	-40 to +80°C (+100°C) ⁽³⁾		
Combined error (terminal)	±0.1% RO	Temperature effect on output (-10°C to +50°C)	±0.003% of output/°C		
Repeatability	0.02% RO	Temperature effect on zero balance (-10°C to +50°C)	±0.003% of RO/°C		
Safe load	150% RL ⁽¹⁾	Insulation resistance at 200 VDC	>4 GΩ		
Ultimate load	200% RL ⁽¹⁾	Material	Stainless steel		
Ultimate sideload	100% RL ⁽¹⁾	Electrical connection	5 m shielded four conductor cable		
Input voltage, recommended	10 VDC or VAC		5, 10, and 20 kN		
Input voltage, maximum	18 VDC or VAC		10 m shielded four conductor cable		
Input resistance	350 Ω ±5 Ω		50 and 100 kN		
Output resistance	350 Ω ±1 Ω	Degree of protection	IP67		
Rated output (RO)	1.020 mV/V	APPROVALS			
Tolerance of (RO)	±0.25% RO	ATEX, IECEx certified versions are available upon request. For details contact blhnobel@vpgsensors.com.			
Zero balance	±2% RO				
Tolerance of shunt calibration values	±0.25 % of value ⁽²⁾				
Creep at R.L. after 30 minutes	±0.03% RL				

(1) Referring to recommended loading point
 (2) See calibration sheet of the load cell
 (3) -40 to +100°C on demand

BLH Nobel is continually seeking to improve product quality and performance. Specifications may change accordingly.



Disclaimer

ALL PRODUCTS, PRODUCT SPECIFICATIONS AND DATA ARE SUBJECT TO CHANGE WITHOUT NOTICE.

Vishay Precision Group, Inc., its affiliates, agents, and employees, and all persons acting on its or their behalf (collectively, "VPG"), disclaim any and all liability for any errors, inaccuracies or incompleteness contained herein or in any other disclosure relating to any product.

The product specifications do not expand or otherwise modify VPG's terms and conditions of purchase, including but not limited to, the warranty expressed therein.

VPG makes no warranty, representation or guarantee other than as set forth in the terms and conditions of purchase. **To the maximum extent permitted by applicable law, VPG disclaims (i) any and all liability arising out of the application or use of any product, (ii) any and all liability, including without limitation special, consequential or incidental damages, and (iii) any and all implied warranties, including warranties of fitness for particular purpose, non-infringement and merchantability.**

Information provided in datasheets and/or specifications may vary from actual results in different applications and performance may vary over time. Statements regarding the suitability of products for certain types of applications are based on VPG's knowledge of typical requirements that are often placed on VPG products. It is the customer's responsibility to validate that a particular product with the properties described in the product specification is suitable for use in a particular application. You should ensure you have the current version of the relevant information by contacting VPG prior to performing installation or use of the product, such as on our website at vpgsensors.com.

No license, express, implied, or otherwise, to any intellectual property rights is granted by this document, or by any conduct of VPG.

The products shown herein are not designed for use in life-saving or life-sustaining applications unless otherwise expressly indicated. Customers using or selling VPG products not expressly indicated for use in such applications do so entirely at their own risk and agree to fully indemnify VPG for any damages arising or resulting from such use or sale. Please contact authorized VPG personnel to obtain written terms and conditions regarding products designed for such applications.

Product names and markings noted herein may be trademarks of their respective owners.

Copyright Vishay Precision Group, Inc., 2014. All rights reserved.