

Stainless Steel S-Type Load Cells

FEATURES

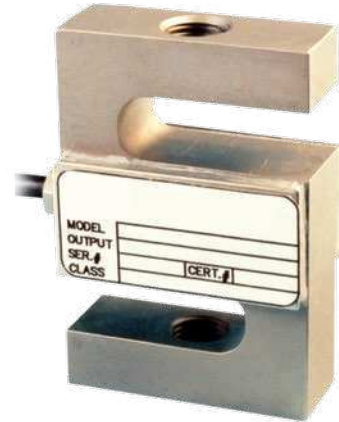
- Capacity range: 50 to 20K lb (22.7 to 9K kg)
- Designed for single or multiple load cell applications
- Constructed with quality 17-4 stainless-steel
- Integral 20-ft cable for maximum mounting flexibility
- Sealed to IP67 standards
- Tension and compression measurement
- FM and CSA approved

APPLICATIONS

- Bin and hopper weighing systems
- Mechanical scale conversion
- Tension force measurement
- OEM scale construction
- Truck scale conversions
- Level and inventory measurement

DESCRIPTION

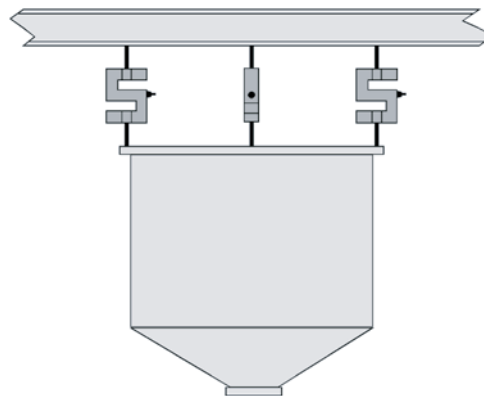
U3SB-B S-Type Load Cells quickly and cost-effectively convert any tank, bin, or hopper into a weighing scale system. The compact size of the U3SB-B makes it ideal for applications where space is at a premium. These stainless steel units stand up to washdown, rain, and



other environmental challenges typically found in the food, pharmaceutical, and chemical industries.

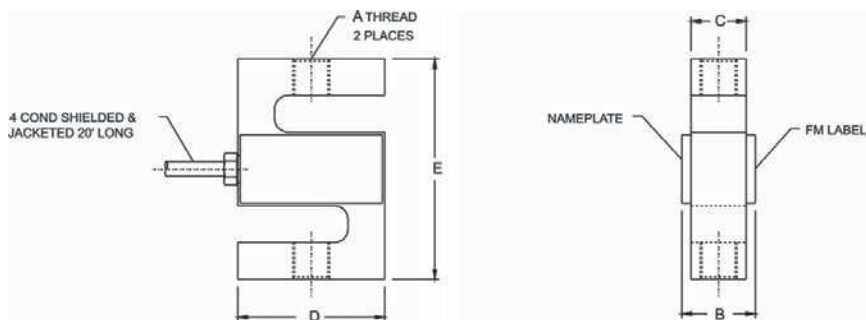
The U3SB-B is available in 16 capacities from 50 to 20K pounds. Each cell has a 20-ft, four-conductor cable for maximum flexibility in mounting and positioning.

CONFIGURATION



Stainless Steel S-Type Load Cells

OUTLINE DIMENSIONS



WIRING	
FUNCTION	COLOR
+EXCITATION	RED
-EXCITATION	BLACK
+OUTPUT	GREEN
-OUTPUT	WHITE

CAPACITY (lbs)	A	B	C	D	E
50-150	1/4-28 UNF-2B	.65	.50	2.00	2.50
250-300	3/8-24 UNF-2B	.75	.50	2.00	3.00
500-1.5K	1/2-20 UNF-2B	1.00	.75	2.00	3.00
2K-3K	1/2-20 UNF-2B	1.25	1.00	2.00	3.00
5K-10K	3/4-16 UNF-2B	1.25	1.00	3.50	4.75
15K	1-14 UNF-2B	1.50	1.25	4.00	5.50
20K	1 1/4-12 UNF-2B	2.12	2.00	5.00	7.00

SPECIFICATIONS

PARAMETER	VALUE
PERFORMANCE	
Capacities	50, 100, 150, 250, 300, 500, 750 lb 1K, 1.5K, 2K, 2.5K, 3K, 5K, 10K, 15K, and 20K lb
Rated output (RO)	3.0 mV/V ±0.25%
Repeatability	0.01% RO
Combined error	0.05% RO
Zero balance	1% RO
Creep (20 minutes)	0.03% RO
TEMPERATURE effects (compensated range)	
On zero balance	0.0014% RO/°F
On span	0.0025% Load/°F
ELECTRICAL	
Recommended excitation	10 VDC (15 VDC max.)
Input resistance	343–450 Ω
Output resistance	349–355 Ω
Cable length	20-ft, 4-conductor shielded cable
TEMPERATURE	
Storage range	–65 to +185°F
Operating range	0 to +150°F
Compensated range	+14 to +104°F

PARAMETER	VALUE
ADVERSE LOAD RATINGS	
Safe overload	150% rated capacity
Ultimate overload	300% rated capacity
MATERIAL	
Material	17-4 stainless steel
Cable fitting	stainless steel
SEALING	
Environmental class	IP67
DEFLECTION	
50–150 lb	0.010–0.015 in
250–300 lb	0.010 in
500–1.5K lb	0.010–0.012 in
2K–3K lb	0.012 in
5K lb	0.017 in
10K–20K lb	0.025 in

BLH Nobel is continually seeking to improve product quality and performance. Specifications may change accordingly.

Disclaimer

ALL PRODUCTS, PRODUCT SPECIFICATIONS AND DATA ARE SUBJECT TO CHANGE WITHOUT NOTICE.

Vishay Precision Group, Inc., its affiliates, agents, and employees, and all persons acting on its or their behalf (collectively, "VPG"), disclaim any and all liability for any errors, inaccuracies or incompleteness contained herein or in any other disclosure relating to any product.

The product specifications do not expand or otherwise modify VPG's terms and conditions of purchase, including but not limited to, the warranty expressed therein.

VPG makes no warranty, representation or guarantee other than as set forth in the terms and conditions of purchase. **To the maximum extent permitted by applicable law, VPG disclaims (i) any and all liability arising out of the application or use of any product, (ii) any and all liability, including without limitation special, consequential or incidental damages, and (iii) any and all implied warranties, including warranties of fitness for particular purpose, non-infringement and merchantability.**

Information provided in datasheets and/or specifications may vary from actual results in different applications and performance may vary over time. Statements regarding the suitability of products for certain types of applications are based on VPG's knowledge of typical requirements that are often placed on VPG products. It is the customer's responsibility to validate that a particular product with the properties described in the product specification is suitable for use in a particular application. You should ensure you have the current version of the relevant information by contacting VPG prior to performing installation or use of the product, such as on our website at vpgsensors.com.

No license, express, implied, or otherwise, to any intellectual property rights is granted by this document, or by any conduct of VPG.

The products shown herein are not designed for use in life-saving or life-sustaining applications unless otherwise expressly indicated. Customers using or selling VPG products not expressly indicated for use in such applications do so entirely at their own risk and agree to fully indemnify VPG for any damages arising or resulting from such use or sale. Please contact authorized VPG personnel to obtain written terms and conditions regarding products designed for such applications.

Product names and markings noted herein may be trademarks of their respective owners.

Copyright Vishay Precision Group, Inc., 2014. All rights reserved.